



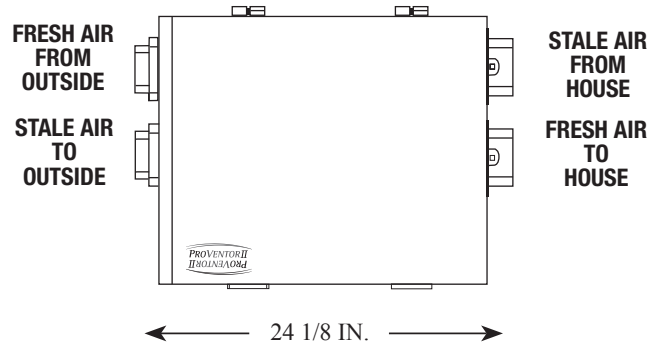
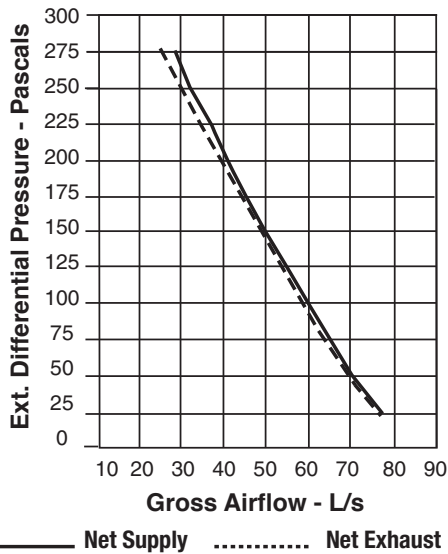
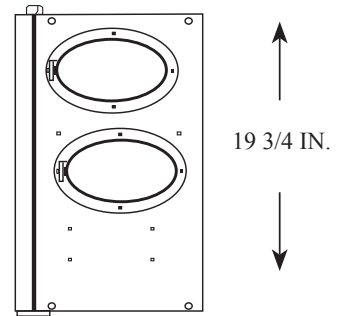
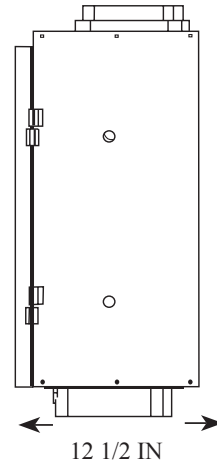
Built Better to Last Longer

SPECIFICATIONS HEAT RECOVERY VENTILATORS PERFORMANCE RATINGS

MODEL: SHR150DM

Options Installed: None
 Electrical: 120 V - 1.5 Amp
 Exhaust Air Transfer Ratio: 0.02
 Low Temp. Reduction During -25°C Test 20.0%
 maximum Unbalanced Airflow During -25°C Test: 8.5 L/s

VENTILATION PERFORMANCE								
EXT. STATIC PRESSURE		NET SUPPLY AIR FLOW		GROSS AIR FLOW				POWER WATTS
Pa	in. wg	L/S	CFM	SUPPLY		EXHAUST		
25	0.1	75	100	77	163	77	164	138
50	0.2	69	147	70	149	72	155	135
75	0.3	64	137	65	139	67	142	137
100	0.4	60	128	61	130	62	131	137
125	0.5	55	115	57	121	56	119	138
150	0.6	51	108	52	110	51	109	140
175	0.7	46	98	47	99	46	95	141
200	0.8	41	88	42	89	40	86	142
225	0.9	37	79	38	80	34	72	143
250	1.0	32	68	32	69	29	62	144
275	1.1	28	60	29	61	25	54	145



ENERGY PERFORMANCE										
		SUPPLY TEMPERATURE		NET AIR FLOW		SUPPLY/EXHAUST FLOW RATIO	AVERAGE POWER (WATTS)	SENSIBLE RECOVERY EFFICIENCY	APPARENT SENSIBLE EFFECTIVENESS	NET MOISTURE TRANSFER
		°C	°F	L/S	CFM					
HEATING	i	0	32	31	65	1.01	102	64	78	0.01
	ii	0	32	45	96	1.01	120	61	72	-0.03
	iii	0	32	58	123	1.00	134	57	66	-0.09
	iv									
	v	-25	-13	30	63	0.96	125	57	77	0.03

